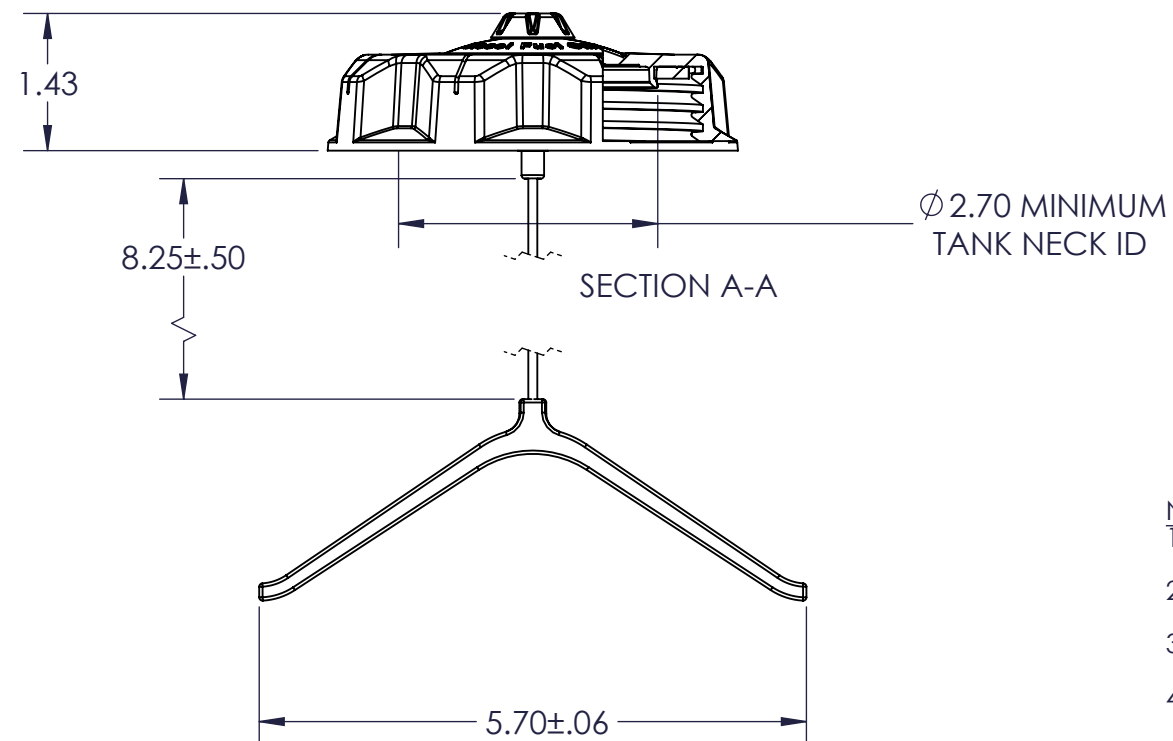
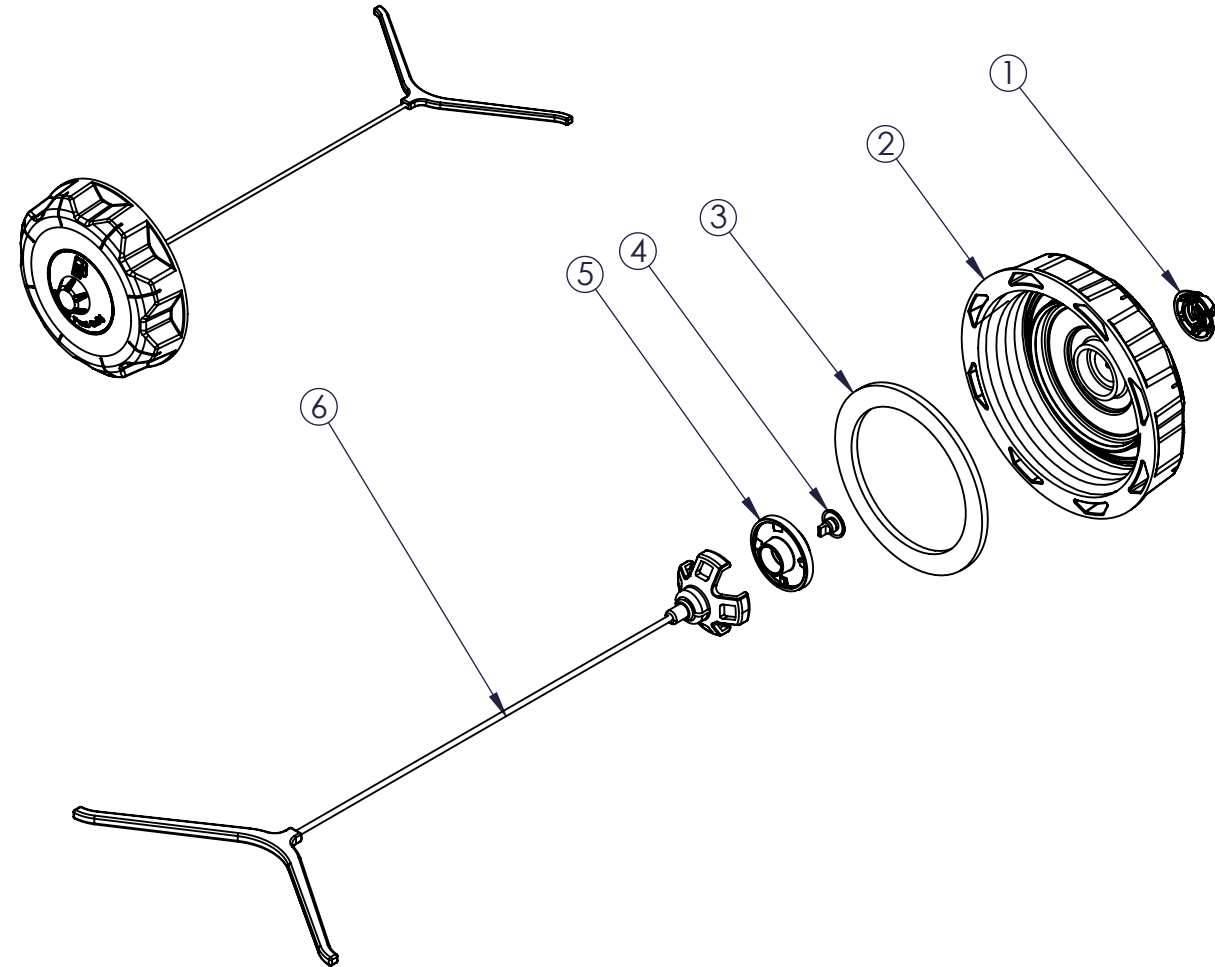
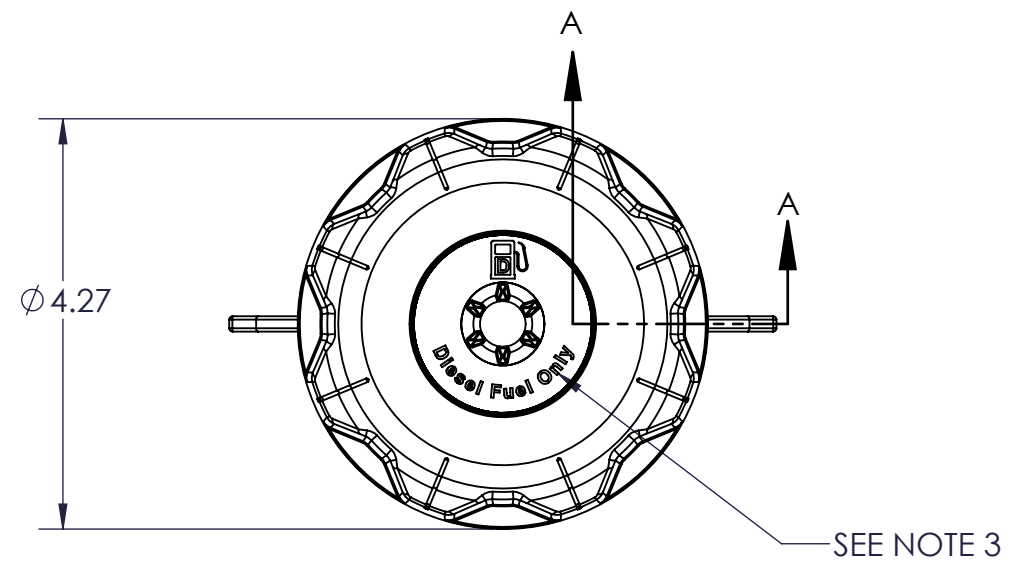


REVISIONS					
REV	ECR	DESCRIPTION	DATE	BY	APR
A	NPN	RELEASED FOR PRODUCTION	5-15-13	ANA	PSB



- NOTES:
1. CAP THREAD IS MODIFIED BUTTRESS THREAD 3.50" - 5 TPI
  2. SEE DWG S-10283 FOR MATING THREAD SPECIFICATIONS.
  3. GRAPHIC IS PRINTED BLACK DFO. REFERENCE DWG S-10032 FOR DETAILS.
  4. TESTING AND VERIFICATION THAT THIS PRODUCT IS APPROPRIATE FOR THE APPLICATION FOR WHICH IT IS INTENDED IS THE SOLE RESPONSIBILITY OF THE PURCHASING PARTY.

6	468776	S-10369	TETHER	1
5	912497B	S-10011	RETAINER	1
4	403037A	403037A	DUCKBILL COMBO VALVE	1
3	468717B	B9370	GASKET	1
2	961168A	S-10037	CAP	1
1	912547B	912547B	SPLASH GUARD	1
ITEM	FPN	DWG #	DESCRIPTION	QTY.

**PROPRIETARY AND CONFIDENTIAL**  
 THE INFORMATION CONTAINED IN THIS DRAWING IS THE SOLE PROPERTY OF FLAMBEAU, INC. ANY REPRODUCTION IN PART OR AS A WHOLE WITHOUT THE WRITTEN PERMISSION OF FLAMBEAU, INC. IS PROHIBITED.

**DIMENSIONS ARE IN INCHES.**  
 THE FOLLOWING TOLERANCES APPLY UNLESS OTHERWISE SPECIFIED  
 ANGULAR: ±3°  
 TWO PLACE x.xx ±.01"  
 THREE PLACE x.xxx ±.005"  
 DIMENSIONS IN PARENTHESIS ( ) ARE FOR REFERENCE ONLY.

**FLAMBEAU, INC.**

SCALE: 1:2    BFI NO: NA    DRAWN BY: ANA    DATE: 5-3-13  
 MOLD NO: 4703    MAT'L: NA    FPN: 080191AE

DESCRIPTION:  
 3.50" TOP VENTED W/ SG, DFO PRINTED CAP - GREEN

CUSTOMER: FLAMBEAU FLUID SYSTEMS    DWG NO: 080191